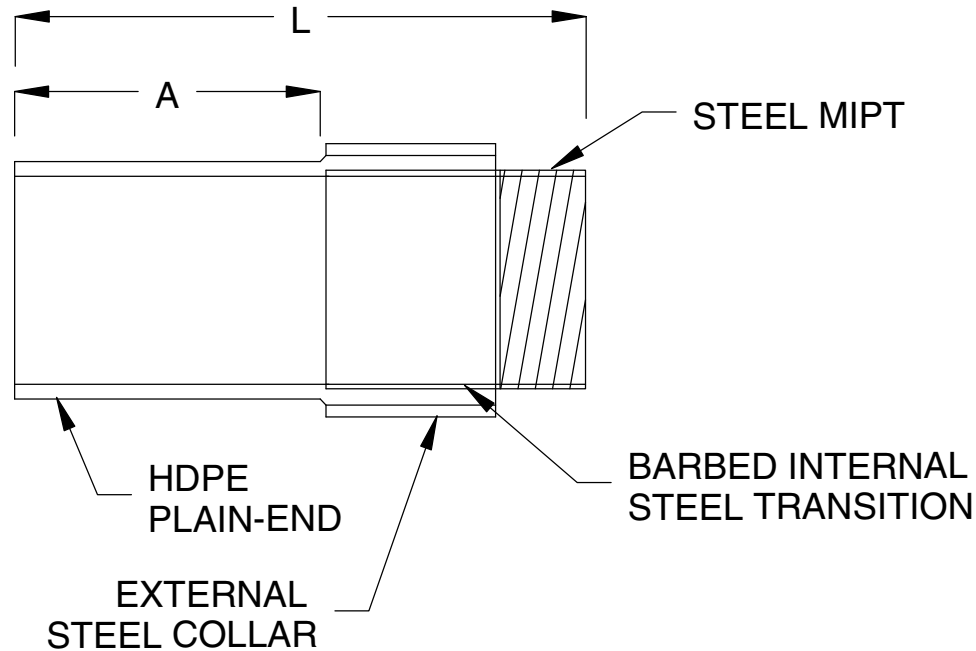
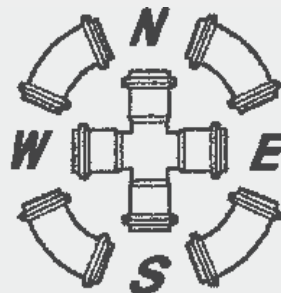


SIZE	A	L
2"	4	10.75
3"	4.5	11.25
4"	5	11.75
5"	7	13.75
6"	7	13.75
8"	7.5	14.25
10"	7.5	14.25
12"	9	15.75
14"	9	15.75
16"	9	15.75



**DISCLAIMER - PLEASE READ**

Due to various factors affecting production, all dimensions are approximate. Dimensions and appearance are subject to change without notice due to design or production modifications. Angle tolerance for elbows is +/- 2 degrees. A copy of this drawing must accompany all purchase orders for this fitting. All other dimensions are to tolerances of +/- 1" Subject to manufacturer's terms and conditions.



**SPECIFIED FITTINGS**

164 WEST SMITH ROAD  
BELLINGHAM WA 98226

TITLE HDPE PLAIN-END x STEEL  
(CARBON OR STAINLESS)  
MIPT TRANSITION ADAPTERS,  
ID CONTROLLED

SIZE	CAGE CODE	DWG NO	REV
A4			
SCALE NOT TO SCALE		SHEET 1/1	